

HypoGen 5.0

Safe, stable and effective sanitizing solution made on-site



The HYPOGEN model 5.0

The ChlorKing® HYPOGEN 5.0 is a stand-alone, on-site generator optimized to produce hypochlorous acid with neutral pH. Using ChlorKing technology the system converts salt, water and electricity into an effective, safe and powerful solution that can substitute for a number of conventional chemicals used on a daily basis.

Uses

- Bacteria inactivation
- Virus inactivation
- Cleaning food surface preparation areas
- Tile floor cleaning
- Any situation where sodium hypochlorite or calcium hypochlorite have traditionally been used.

Specifications

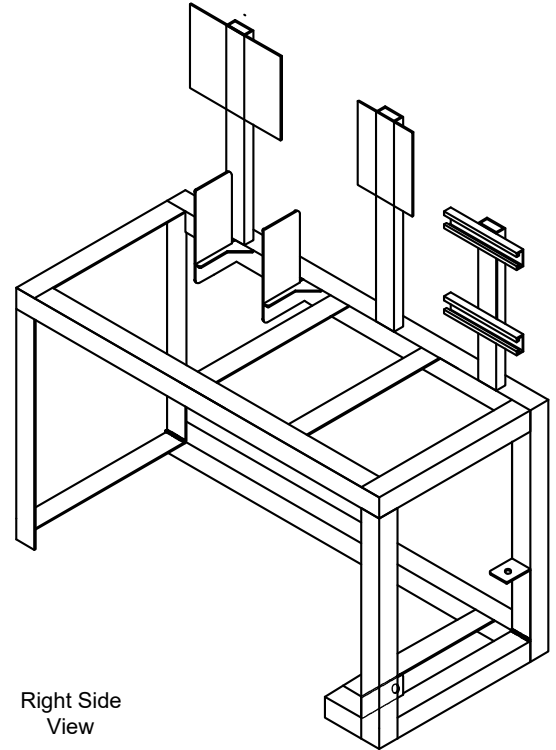
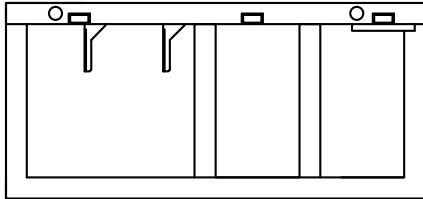
- Touch-screen display
 - › Size 5" x 4" color display
 - › Resistive touch membrane overlay
- Built in safety sensors
 - › Water, flow, & level sensors
- Power supply
 - › 50 amp 24v DC water-cooled switch mode
- Electrode stack
 - › [1] x 15,000 hr reverse polarity
- Operating temperature
 - › 45°F (7°C) to 115°F (46°C) air temperature
 - › 50°F (10°C) to 80°F (26°C) water temperature
- Electrical specifications
 - › Max AC primary amps – (8)
 - › Voltage / Hz – (110-240v 50/60Hz single phase)
 - › Breaker required – (15 amp)

Skid dimensions and weight		
Depth x width x height	19" x 45" x 56"	48cm x 114cm x 142cm
Weight	80 lbs.	36 kg
Water required		
Water flow	0.25 gpm	0.9463 lpm
Water pressure (min)	25 psi	2 bar
Water pressure (max)	50 psi	4 bar
Water softener required	No	
Generator performance		
Hypochlorous acid (sanitizer)	0.25 gpm (360 g / day)	0.9463 lpm (1,362 l / day)
(sanitizer) pH	5.5 - 7 adjustable	
(sanitizer) FAC	> 1,000ppm	
Salt and acid usage		
Estimated salt usage	10 lbs. / 240g	4.5 kg / 908 L
Estimated acid usage	1g / 180g	3.7 L / 680 L
Salt type	Rock, solar or evaporated	
Acid type	Acetic acid / Muriatic acid (application?)	

Dimensions

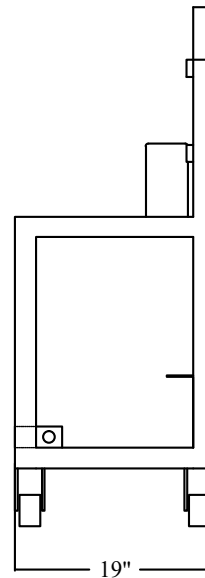
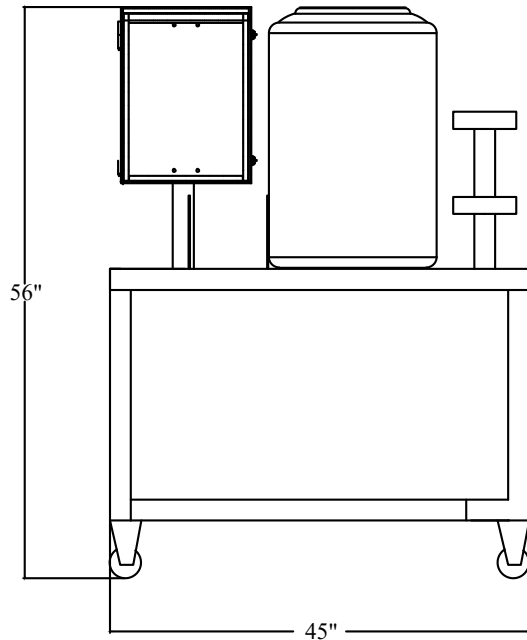
HOCL Generator Skid

Top View



Right Side View

Front View



ChlorKing pioneered on-site chlorine generating technology in the 1970's. Realizing the potential for swimming pools and commercial applications, the company began generating "ultimate water" with simple, yet highly advanced technology. Today, ChlorKing® leads the way in commercial saline chlorination and is consistently seeking new frontiers in sanitizing solutions including ultraviolet light technology and their NEX-GEN® pH onsite chlorine generators. These environmentally friendly solutions are changing the way we treat H₂O.



Saferwaterthroughsmartertechnology.

Salt Chlorination Systems • Ultraviolet Light Systems • Mixed Oxidant Systems

ChlorKing Inc. 6767 Peachtree Industrial Blvd Norcross GA 30092 sales@chlorking.com 800.536.8180 chlorking.com